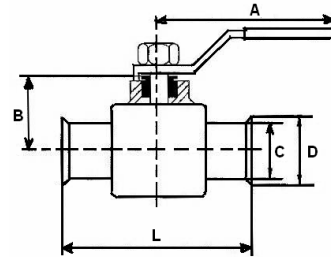


卫生级快装球阀

Sanitary Quick Ball Valve

主要参数 Parameters(mm)

size	C	D	L	B	A
3/4"	19	50.5	95	50	100
1"	25.4	50.5	120	55	115
1-1/4"	32	50.5	130	58	130
1-1/2"	38	50.5	140	60	150
2"	51	64	170	80	180
2-1/2"	63.5	77.5	190	90	200
3"	76.3	91	210	95	220
3-1/2"	89	106	220	110	260
4"	101.6	119	240	118	320

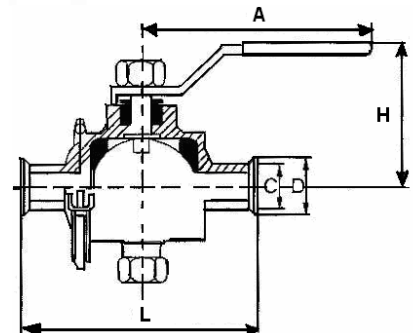


卫生级三片式快装球阀

Sanitary 3PC Quick Ball Valve

主要参数 Parameters(mm)

size	C	D	L	H	A
3/4"	19	50.5	110	50	100
1"	25.4	50.5	120	55	120
1-1/4"	32	50.5	130	58	130
1-1/2"	38	50.5	140	60	150
2"	51	64	170	80	200
2-1/2"	63.5	77.5	190	90	210
3"	76.3	91	210	95	220
3-1/2"	89	106	220	110	260
4"	101.6	119	240	118	320



卫生级外螺纹三通球阀

Sanitary 3-Way Threaded Ball Valve

主要参数 Parameters(mm)

size	A	D	B	L
3/4"	19	36x3	47.5	95
1"	25.4	40x3	60	120
1-1/4"	32	46x3	70	140
1-1/2"	38	55x3	85	170
2"	51	65x4	100	200
2-1/2"	63.5	80x4	105	210
3"	76.3	95x4	110	220
3-1/2"	89	100x4	120	240
4"	101.6	115x4	130	260

